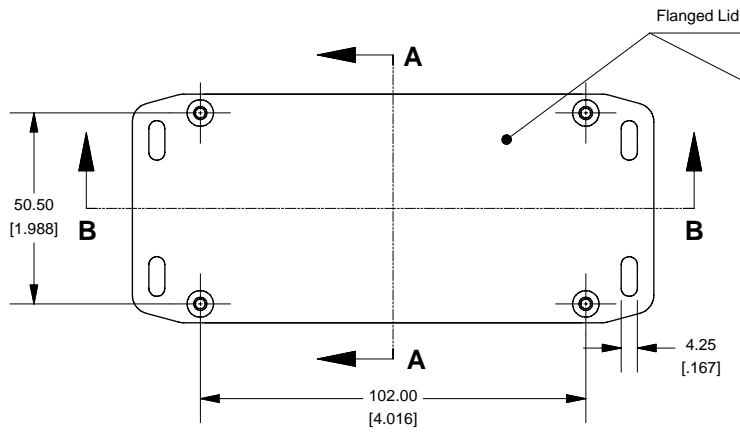
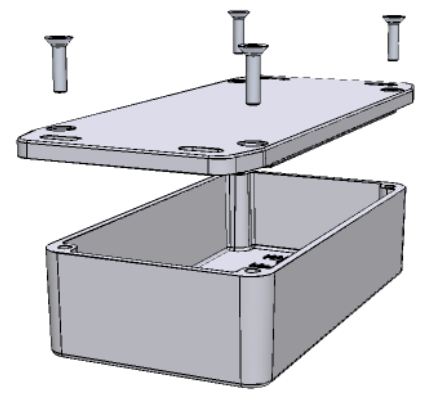
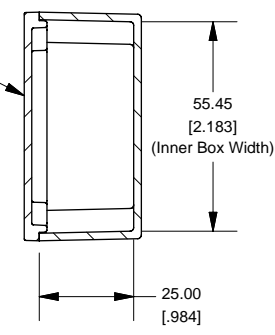


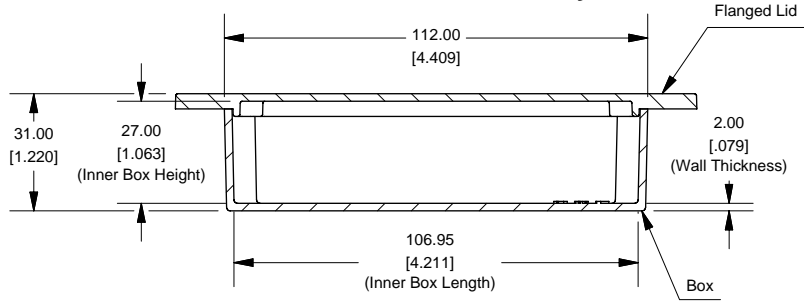
Top View of Assembly



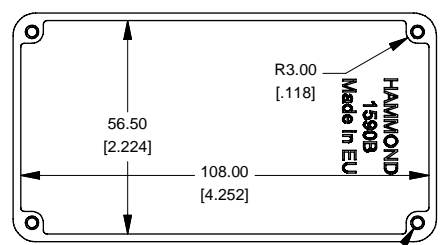
SECTION A-A End View of Assembly



SECTION B-B Side View of Assembly



Top View Looking Inside Box

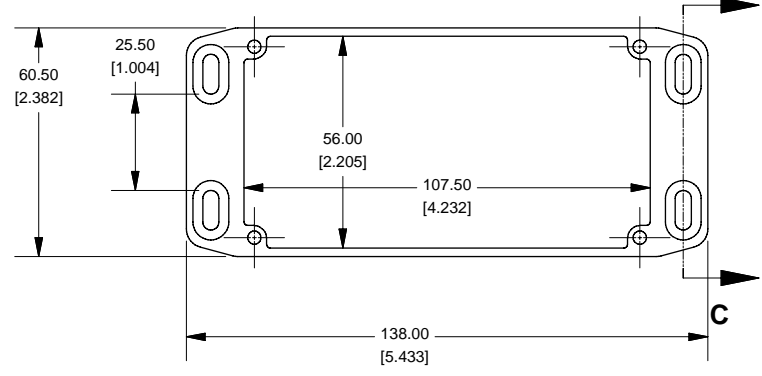


(Threaded Holes)
6-32 UNC - 2B ∇ 11.00
 \square \varnothing 3.50 ∇ 3.00

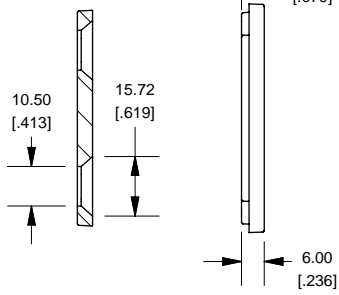
Enclosures can be Factory Modified (Milling, Drilling, Printing etc.)
Contact Factory mjm@hammondmfg.com for quotes
Solid models of this enclosure available in STEP or IGES.

NOTE	
Purchased assembly includes box, lid and 4 cover screws. Box and lid are made from Diecast Aluminum Alloy (alloy type 380). Silicone Gasket Loctite #5950	
PART NUMBERS	
1590BFL Enclosure	
Unfinished	1590BFL
Grey Textured Polyester Powder Paint - RAL 7038	1590BFLGY
Black Textured Polyester Powder Paint - RAL 9011	1590BFLBK
1590BFL Liquid Resistant Enclosure (Silicon Factory Installed Gasket)	
Unfinished	1590WBFL
Black Textured Powder Paint	1590WBFLBK
ACCESSORIES	
Recommended Torque: 75 ozf.in / 55 cN.m	
Black Textured Cover Screws (Pkg 50) [6-32 x 1/2" SS Type 304]	1590WMS100BK
Unfinished Cover Screws (Pkg 100) [6-32 x 1/2" Nickel Plated Screws]	1590WMS100
Standard Cover Screws	
Unfinished Cover Screws (Pkg 100) [6-32 x 1/2" Nickel Plated Screws]	1590MS100
Black Textured Cover Screws (Pkg 50) [6-32 x 1/2" SS Type 304]	1590MS100BK

Lid



SECTION C-C Side of Slot



HAMMOND MANUFACTURING™

1590BFL

www.hammondmfg.com